

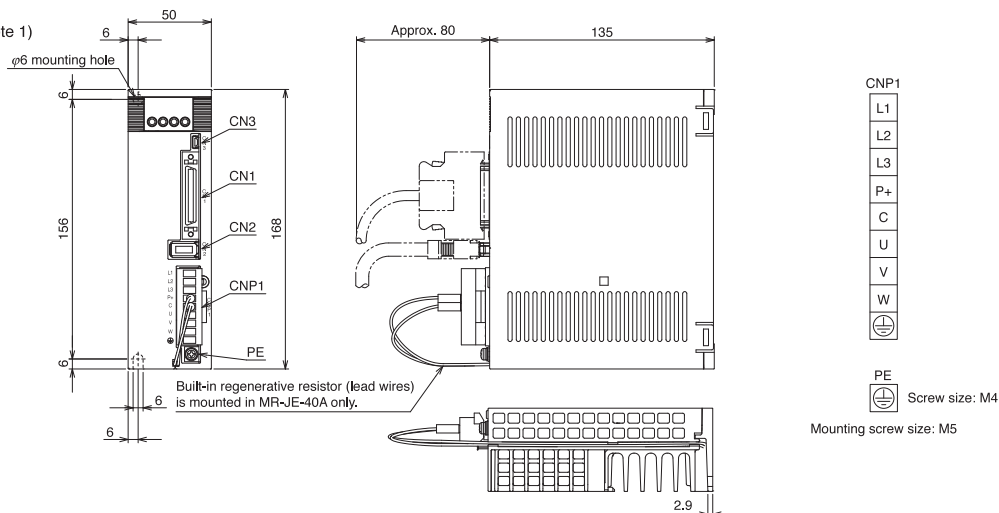


## MR-JE-A Dimensions

● MR-JE-10A (Note 1)

● MR-JE-20A (Note 1)

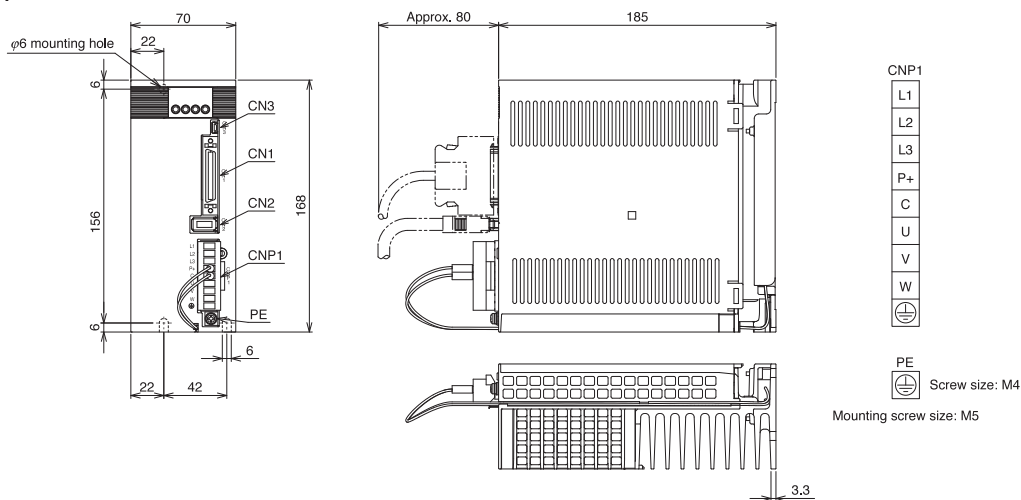
● MR-JE-40A (Note 1)



[Unit: mm]

● MR-JE-70A (Note 1)

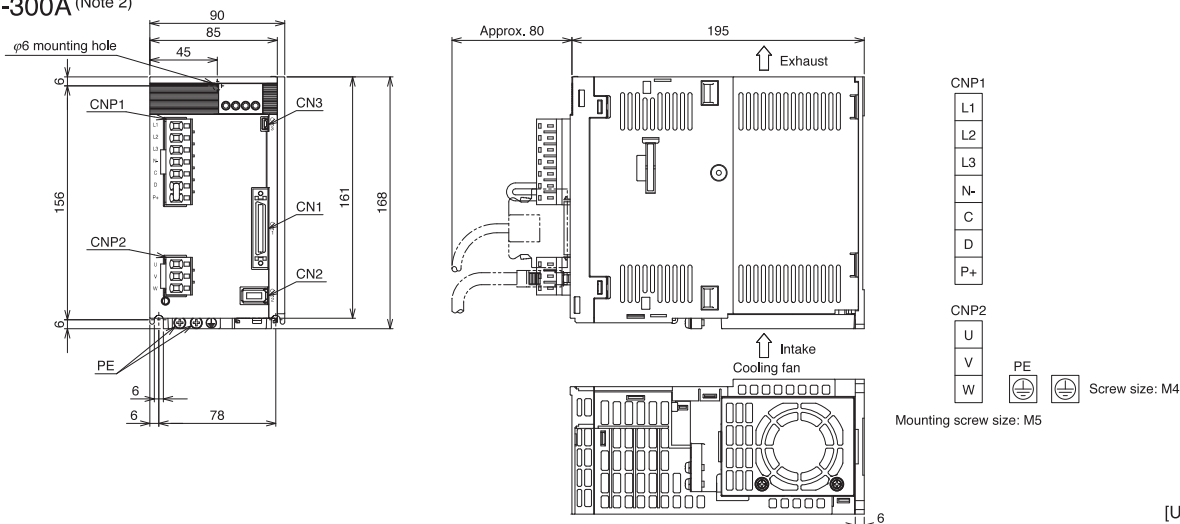
● MR-JE-100A (Note 1)



[Unit: mm]

● MR-JE-200A (Note 2)

● MR-JE-300A (Note 2)



[Unit: mm]

Notes: 1. CNP1 connector (insertion type) is supplied with the servo amplifier.  
2. CNP1 and CNP2 connectors (insertion type) are supplied with the servo amplifier.